

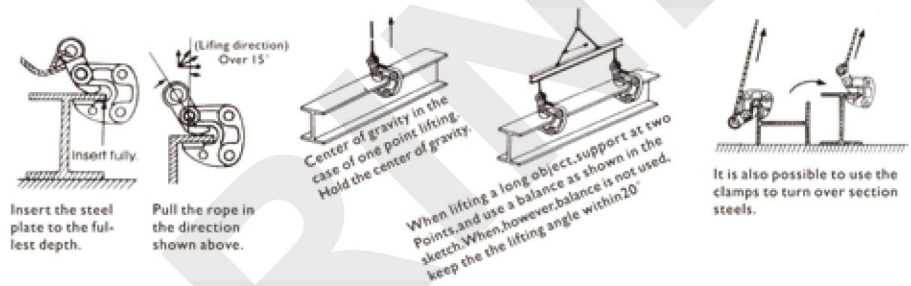
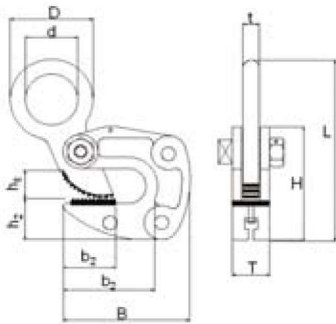
HLC SV PLUS HORIZONTAL LIFTING CLAMP

HLC SV PLUS HORIZONTAL LIFTING CLAMP



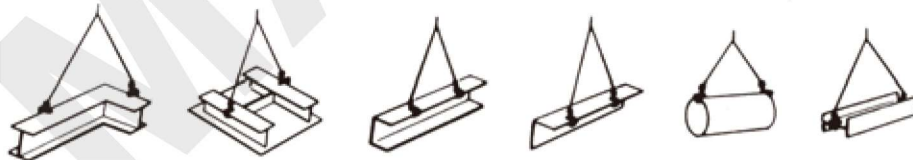
This HLC clamp is used for horizontal lifting and transfer of steel plates and is particularly suited to this application due to the special thin ground plate and buffer cams which facilitate easy insertion and removal under the plate being lifted. It can also be used hanging vertically under a spreader.

These clamps are light in weight relative to their lifting capacity. Please note that the WLL of these clamps is given based on a pair. The clamps are suitable for surface hard-nesses up to 37 RC(345,HB).



WORKING FIELDS:

- At building construction field
- At ship building field
- Metal production workshop
- At subway construction (civil engineering construction) sites



SAFETY TECHNICAL FEATURE:

- Embossed branding, PI code for good traceability and quality guarantee
- All forged parts with stock availability at any time.
- High strength and durability with MBL of 500% of capacity, of better.

| Item No | WLL (ton) | Opening (mm) | Dimensions(mm) | | | | | | | | | | | Weight (kg) |
|---------|-----------|--------------|----------------|----|----|-----|----|----|-----|----|----|----|----|-------------|
| | | | L | T | t | H | H1 | H2 | B | B1 | B2 | D | d | |
| HLC1 | 1 | 1-13 | 166 | 12 | 32 | 100 | 22 | 36 | 102 | 64 | 42 | 70 | 46 | 2.1 |
| HLC2 | 2 | 3-22 | 235 | 16 | 40 | 132 | 33 | 46 | 130 | 84 | 56 | 92 | 56 | 4.7 |
| HLC3 | 3 | 12-35 | 276 | 18 | 44 | 178 | 40 | 66 | 172 | 92 | 70 | 82 | 42 | 8.4 |